



For Low or Line Voltage Control of 3-Speed Fans

General

The S120 Series fan control switch provides manual fan and system switching in standalone mode or at the thermostat location when used with a room thermostats or at a remote location when used with capillary thermostats.

The S120 Series has two slide type selector switches for selecting the desired fan and system mode.

In the HIGH, MED or LOW switch position, the fan will run at the speed selected and the thermostat, if and when used, will operate a controlled device to provide comfort control at the desired room or duct temperature. The OFF position will stop the fan and de-energize the thermostat.

Mounting

The S120 Series fan control switch can be surface mounted or secured to a standard European 75x75x35 mm electric box.

Features

- Attractive contemporary styling
- All slide switches for ease of operation
- Easy to wire to numbered terminals
- Mounts to standard wall box

Models

S121

System switch: On/Off
Fan Switch: Hi-Med-Low

S122

System Switch: Heat/Off/Cool
Fan Switch: Hi-Med-Low



Specification

Housing Materials
Switches Rating
Ambient Limitation
Wire connection

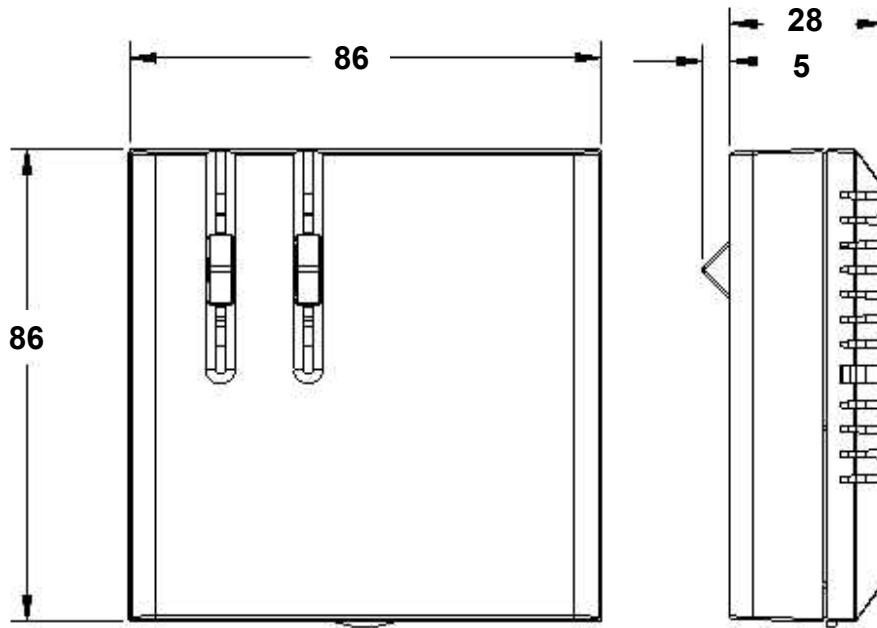
Self-extinguishing, molded ABS
6A resistive, 4A inductive
0...50 °C
Screw-down connection,
wire size 1mm² or 18AWG

Agency Approval
Shipping weight

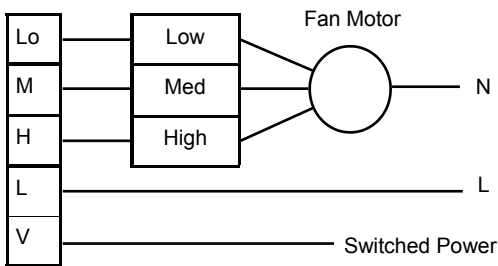
CE compliant
90g

The specification above are normal and conform to generally acceptable industry standard. Cyrus is not responsible for damages resulting from misapplication or misuse of its products.

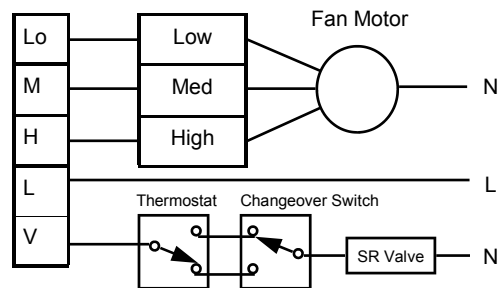
Dimensions in mm



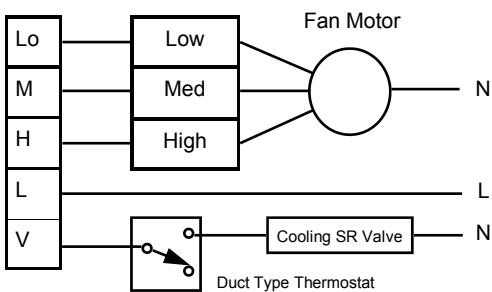
Typical Wiring Diagram



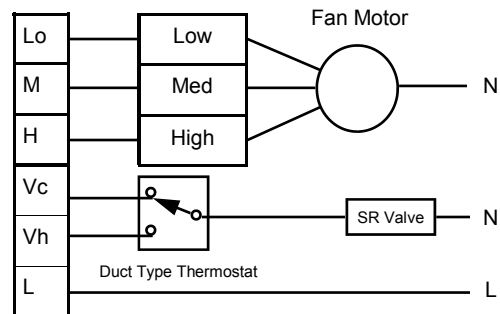
S121
For Fan Control Only



S121
For 2-pipe Heating or Cooling



S121
For 2-pipe Cooling Only



S122
For 2-pipe Heating or Cooling

Remarks: SR Valves = Spring return valve