



For Low Voltage and Line Voltage
Control of Valves, Relays and Fan Motors
in Fan Coil or Heat Pump Units

General

The RT200 Series room thermostats provide on/off control, consistent performance and contemporary styling. This series controls a variety of two-pipe and four-pipe fan coil systems as well as other heating and cooling applications.

RT200 is an electro-mechanical thermostat for room mounting. The sensing element is a quality bi-metal which reacts to change in temperature by creating a movement as a switching function. The thermostat can also control the fan speed with three position continuously or automatically with the temperature switching action.

Features

- Attractive contemporary styling
- High quality bi-metal sensor provides constant and close
- temperature differential over the whole temperature range
- System "OFF" position breaks all circuits
- Simple on-site set-point re-calibration
- All slide switches for ease of operation
- Easy wire termination
- Optional set-point range limit stops available to conserve energy
- Customizing available

Models

RT201

System switch: On/Off
Fan Switch: Hi-Med-Low

RT202 (Two-pipe)

System Switch: Heat/Off/Cool
Fan Switch: Hi-Med-Low

RT203 (Four-pipe)

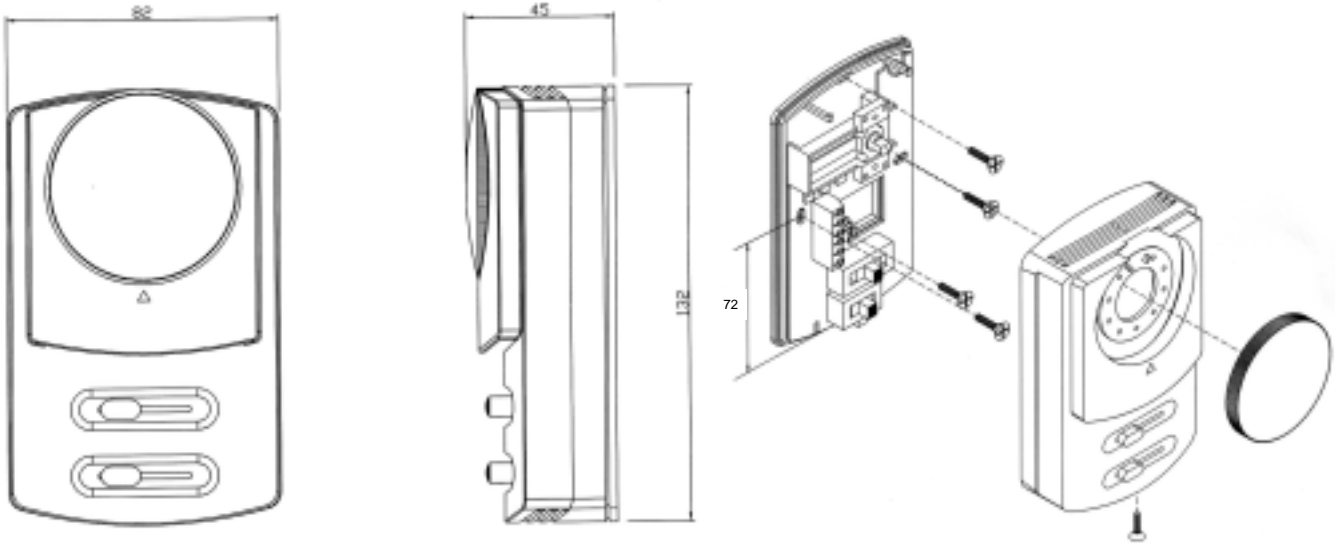
System Switch: Heat/Off/Cool
Fan Switch: Hi-Med-Low



Specification

| | |
|---------------------------------------|---|
| Operating Differential Range | Approximately 1K 10...30 °C |
| Sensing Element | B-metal type |
| Housing Materials | Self-extinguishing, molded ABS |
| Electrical Rating thermostat switches | 6(1)A cooling, 6(1.5)A heating, 6A resistive, 4A inductive |
| Ambient Limitation | 0...50 °C |
| Wire connection | Screw-down connection, wire size 1mm ² or 18AWG |
| Agency Approval | CE compliant |
| Shipping weight | 180g |

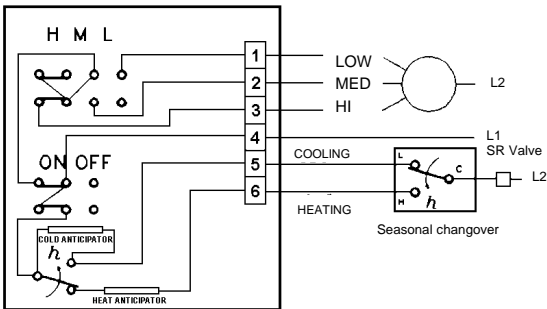
The specification above are normal and conform to generally acceptable industry standard. Cyrus is not responsible for damages resulting from misapplication or misuse of its products.



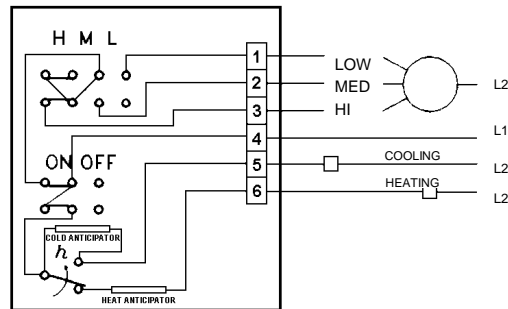
Mounting

The RT200 Series thermostats can be wall mounted or secured onto a standard European 75x75x35mm or onto a standard American 2" x 4" electric box, please see above mounting illustration.

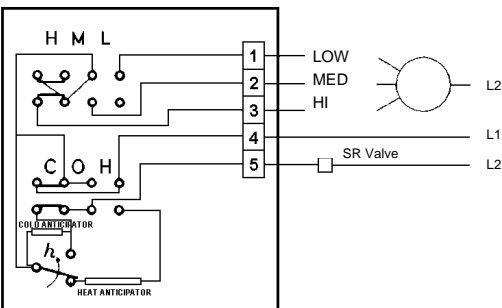
RT201 Heating/Cooling 2-pipe system with auto-changeover



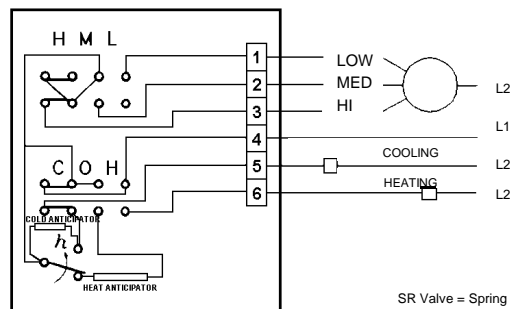
RT201 Heating only or Cooling only 2-pipe system



RT202 Heating / Cooling 2-pipe system



RT203 Heating / Cooling 4-pipe system



SR Valve = Spring return Valve