



Remote Temperature Sensor

General

The remote temperature sensors are primarily used to transmit the measured air temperature in ducts or in immersion wells to TC24 or ET10 controllers which require remote sensing.

Mounting

The duct sensor is position sensitive. It only senses the temperature at the place where it is installed. Therefore, in order to achieve a good temperature control, it is extremely important to choose an ideal place for installing the sensor.

Model

TE10-1 (temperature sensor)

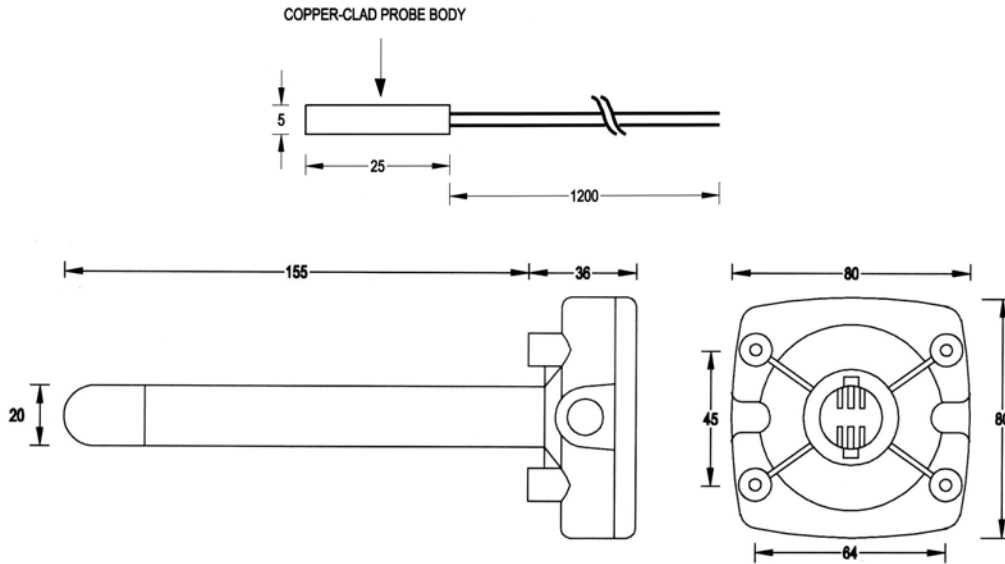
TE10-2 (duct sensor holder)

Specification

Sensing element:	NTC
Temperature range:	0...30 °C
Wire length:	120 cm
Potection:	IP65 (TE10-1) IP53 (TE10-2)
Weight:	15g (TE10-1) 100g (TE10-2)



Dimensions in mm



Temperature Vs Resistant Chart

°C	Ω	°C	Ω
0	27280	16	14170
1	26234	17	13650
2	25188	18	13130
3	24142	19	12610
4	23096	20	12090
5	22050	21	11672
6	21232	22	11254
7	20414	23	10836
8	19596	24	10418
9	18778	25	10000
10	17960	26	9663
11	17306	27	9325
12	16652	28	8988
13	15998	29	8650
14	15344	30	8313
15	14690		