



220 V step down to 24 VAC Transformer 40 VA

General

The ST Series transformers are designed for use on controllers, motor actuators and miscellaneous low-voltage control circuits. These transformers provide rated secondary output at rated load for proper operation of system components.

Ordering Instruction

To order, specify complete product model number

Features

- Foot mounting
- Color coded wire leads for Simplicity

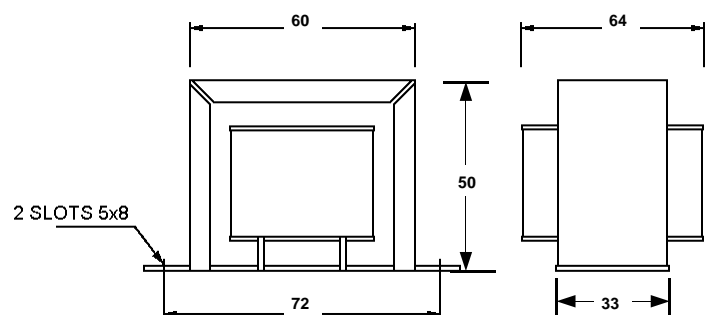
Material

Feet, End Plate: Cold Drawn Steel
(Chromium Plated)

Laminations Soft Silicon Iron

Specification

Model Number	ST-5724-40W
Ambient Limits	-40... 50 °C
Primary Voltage	220 V 50/60 Hz
Secondary Voltage	24 V 50/60 Hz
loading	26.5 ± 1 V 50/60 Power 40 VA
Connections	Color code wire leads Red (Primary) Black (Secondary)
Shipping Weight	1.2 kg



Dimensions in mm