



4 Nm Actuators for On/Off, 2 or 3-Wire Floating or Proportional Control of Damper

General

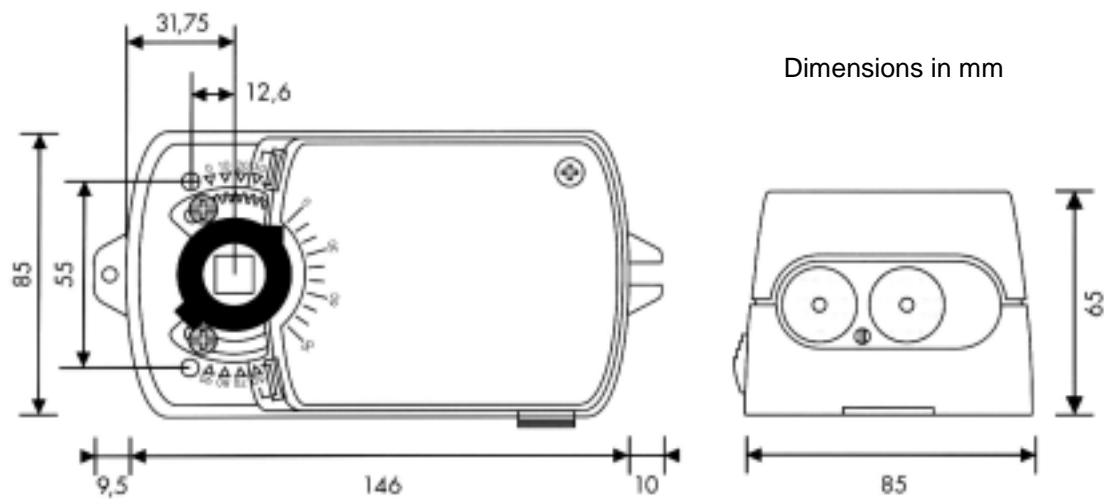
The 04 Series damper actuators are designed for drive small and medium-sized damper with 2 or 3-wire floating, on/off and proportional voltage / current control (with resistor) to operate dampers in air control system.

Key Features

A key feature of the design is the special spindle adapter which also incorporates angle-of-rotation limiting and position indication. Auxiliary switches and Potentiometer are available for separate order, however 0 – 10 VDC position signal feature is built-in for proportional control models. For ease of installation, the actuator mounts directly onto the damper shaft in minutes

- 2 or 3-point control, 0-10 VDC control
- Load independent running time
- Paralleling of up to 10 actuators possible
- Screw terminal connections
- Universal adapter for:
Round spindles from 6 to 16 mm dia.
or adapter Z01DN...for
Square spindles 8, 10, 11, 12 mm
- Choice of rotation
- Angle-of-rotation limiting
- Manual control by pushbutton
- Power saving at end stops
- Customizing available





Wiring Diagram

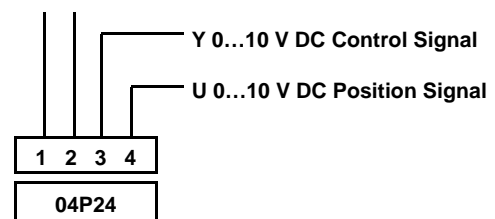
2-wire control
± ~ 24/220 V



3-wire control
± ~ 24/220 V AC



± ~ 24 V AC
- + 24 V DC



Specifications

Control and Supply Voltage	04T24	On/Off (Floating)	24 VAC/DC
	04T230	On/Off (Floating)	230 VAC
	04P24	0 – 10 VDC control	24 VAC/DC
Power Consumption	04T24	2.5W running, 0.75W at ends	
	04T230	4W running, 3W at ends	
	04P24	2W running, 0.3 at ends	
Torque and Damper area	4 Nm, 1 m ²		
Angle of Rotation	Max. 93° (Adjustable)		
Auxiliary switch rating	3 (1.5) Amp 230V		
Running Time	35 sec		
Noise Level	Max. 40 dB (A)		
Manual Override	External push button		
Protection	IP 42		
Ambient Limitation	-20...50 °C, max. 95% RH		
Approvals	CE compliant		
Weight	0.9 kg		